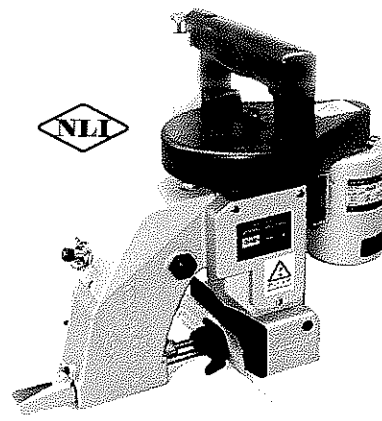


Newlong NP-7A

EN Most Economical & Efficient
Portable Bag Closing Machine

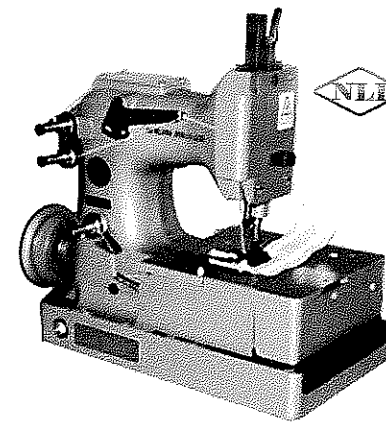
ES La Cerradora de Sacos Portátil mas
Económica y Eficiente



Newlong DN-2HS

EN Bag Making Machine for Seaming
& Hemming Light to Heavy Materials

ES Maquina Cosedora de Bordes y
Doblados de Sacos de Material Ligero
a muy Grueso



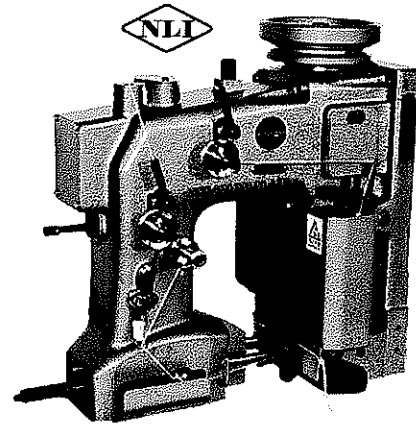
Max. Speed *	1,750 rpm
Seam	Single Thread Chain Stitch (Type 101)
Stitch Width	8.5mm
Bag Material	Multi-Wall Paper, Jute (Yute), Polypropylene (PP / Rafia)
Thickness	Jute Bag / 8 mm
Cutter	Half automatic thread cutter
Needle	DNX1#25
Oiling	By Hand Oil Pump
Oil	Machine oil #10
Weight	7.0 kg

Max. Speed	3,000rpm
Seam	Double thread chain stitch (Type 401)
Stitch Width	7 - 12mm
Bag Material	Multi-Wall Paper, Jute (Yute), Polypropylene (PP / Rafia)
Thickness	Jute Bag / 8 mm
Cutter	NLC
Needle	DRx2 #25
Oiling:	Automatic Oiling supply
Oil:	Tellus #32
Weight:	45.0 Kg

Newlong DS-2(II)

EN Most Popular Industrial Bag
Sewing Machine

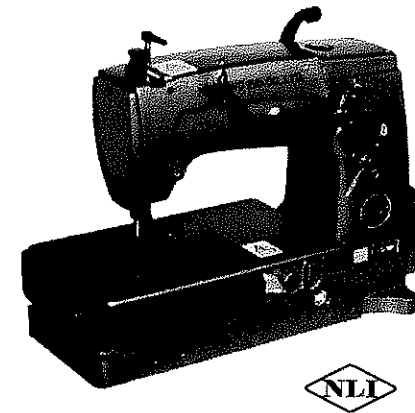
ES La Cerradora de Sacos Industrial
Mas Popular en el Mercado



Newlong DKN-3BP

EN High Speed Polypropylene (PP)
Bag Making Machine

ES Maquina Cosedora de Sacos de
Polipropileno (Rafia) de Alta Velocidad



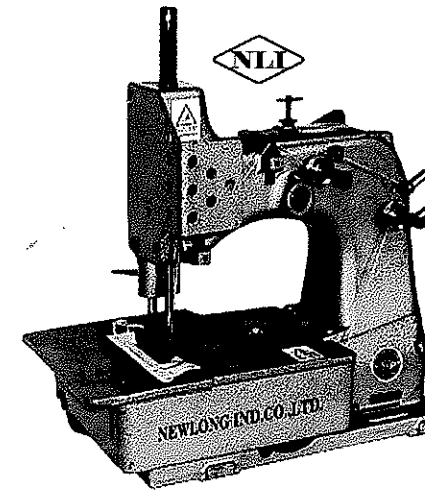
Max. Speed	1,400rpm
Seam	Double thread chain stitch (Type 401)
Stitch Width	7 - 12mm
Bag Material	Multi-Wall Paper, Jute (Yute), Polypropylene (PP / Rafia)
Needle	DRx2 #25
Thickness	Jute Bag / 10 mm
Cutter	Half automatic thread cutter
Oiling:	By Hand / Oiler
Oil:	Machine Oil #10
Weight:	40.0 Kg

Max. Speed	5,000rpm
Seam	Double thread chain stitch (Type 401)
Stitch Width	5 - 9.5mm
Bag Material	Polypropylene (PP / Rafia)
Needle	UO144G200
Oiling:	Automatic
Oil:	Tellus #32
Weight:	40.0 Kg

Newlong DR-3A

EN Industrial Sewing Machine to Manufacture Big Bag (FIBC)

ES Maquina de Coser Industrial para la Fabricacion de Container Bag (FIBC)

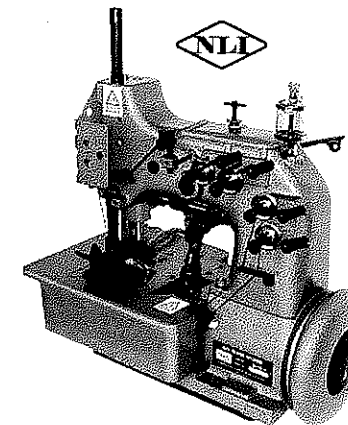


Max. Speed	1,800rpm
Seam	Double thread chain stitch (Type 401)
Stitch Width	6.5 - 15mm
Bag Material	Jute (Yute), Polypropylene (PP / Rafia), Big Bag
Thickness	Jute Bag / 15 mm
Needle	UO-H33#27
Oiling:	By Hand / Oiler
Oil:	Machine Oil # 10
Weight:	50.0 Kg

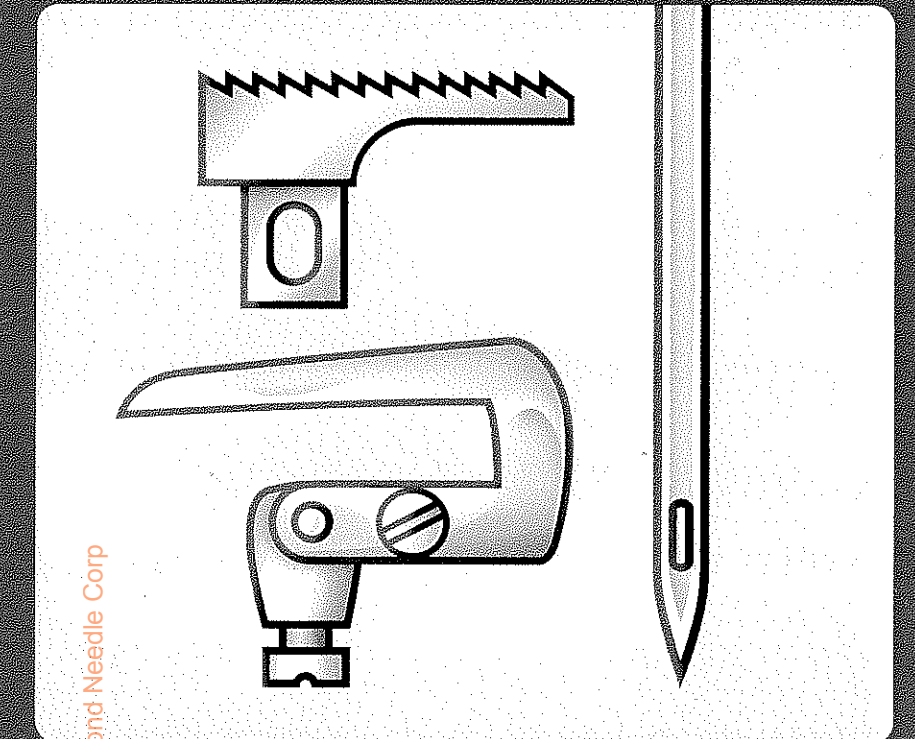
Newlong DHR-6

EN Combined Overedging & Chain Stitch Sewing Machine to Manufacture Big Bag (FIBC)

ES Maquina de Coser, Puntada Combinada (Ribeteado y Cadeneta) para fabricar Bib Bag (FIBC)



Max. Speed	1,400rpm
Seam	Safety stitch (Type 515)
Stitch Width	6.5 - 15mm
Bag Material	Polypropylene (PP / Rafia), Big Bag
Thickness	Jute Bag / 22 mm
Needle	UY9853G430
Oiling:	By Hand / Oiler
Oil:	Machine Oil #10
Weight:	50.0 Kg

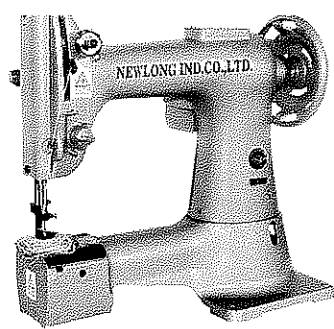


Sewing Machines, Parts, Needles & More...

EN Sewing Parts Express specializes in the distribution of Industrial Bag Closing & Bag Making Sewing Machines for Materials such as Polypropylene (PP), Woven Cloth Bags, Jute Bags, Kraft Paper Bags & Big Bags (FIBC).

ES Sewing Parts Express se especializa en la distribución de Maquinas Cerradoras y Cosedoras de Sacos Industriales para materiales tales como Polipropileno (Rafia), Yute, Papel Kraft, Multi-Papel, Big Bag (FIBC)

Newlong DD-5



EN Bag Mending Sewing Machine to repair Jute & Big Bags (FIBC)

ES Maquina de Coser Remendedora de Sacos de Yute y Big Bags (FIBC)

Max. Speed	1,500rpm
Seam	General sewing (Type 301)
Stitch Width	Free Feed
Bag Material	Jute (Yute), Big Bag
Needle	CYX7 #28
Oiling:	By Hand / Oiler
Oil:	Machine Oil #10
Weight:	50.0 Kg



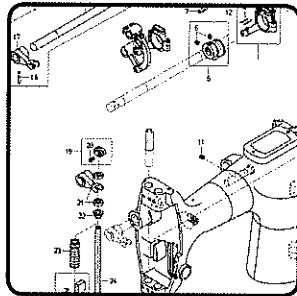
EN Sewing Parts Express, Corp., located in Miami, FL USA, distributes all the Sewing Machines of the Brand Newlong Industrial Co., Ltd <NLI>, manufactured in Japan. You can rely on us to provide you with the Machinery, Original (Genuine) Spare Parts & Needles. Let us provide you with our good prices and immediate Customer Service. For a free quote e-mail us at sales@sewingpartsexpress.com

ES Sewing Parts Express, Corp., localizada en la Ciudad de Miami, FL E.U.A., distribuye todos las Maquinas de la Marca Newlong Industrial Co., Ltd <NLI>, fabricados en Japon. Usted puede contar con Sewing Parts Express, Corp. para proveerle Maquinaria, Repuestos/Recambios Originales y agujas. Permitanos atenderle ofreciendole los mejores precios del mercado y el mejor Servicio al Cliente. Para una Cotizacion sin compromisos favor de enviarnos un correo electronico a sales@sewingpartsexpress.com

Sewing Parts Express, Corp.
9918 N.W. 41 Street, Miami, FL 33178 U.S.A.
Phone: (+1) 305 424-8211
Fax: (+1) 305 402-2250
E-mail: sales@sewingpartsexpress.com
web: www.sewingpartsexpress.com

Parts & Needles

EN Sewing Parts Express only carries Original (Genuine) Spare Parts for Newlong Sewing Machines. They are manufactured with the Highest Standards of Quality. Please visit our website: www.sewingpartsexpress.com for an extended overview of the machine parts we provide.



ES Sewing Parts Express únicamente distribuye Repuestos Originales (Genuinos) para Maquinas de Coser Newlong. Estos son fabricados con los mas altos Estándares de Calidad. Para obtener mas Información de los Repuestos que proveemos favor de visitar nuestro sitio web: www.sewingpartsexpress.com

About Newlong Industrial



EN Newlong Industrial Co., Ltd. designs and produces Machines & Parts according the latest manufacturing processes & technologies available. Our production facilities in Japan continuesly work with the highest standards in Quality Control (ISO9001*2000) to offer reliable products for a 100% Customer Satisfaction.

ES Newlong Industrial Co., Ltd. diseña y produce Maquinas y Repuestos de acuerdo a los ultimos procesos de fabricacion y tecnologia disponible. Nuestras Plantas de Produccion en Japon trabajan constantemente con los mas altos Standares de Control de Calidad (ISO9001*2000) para ofrecerle productos de satisfaccion garantizada.